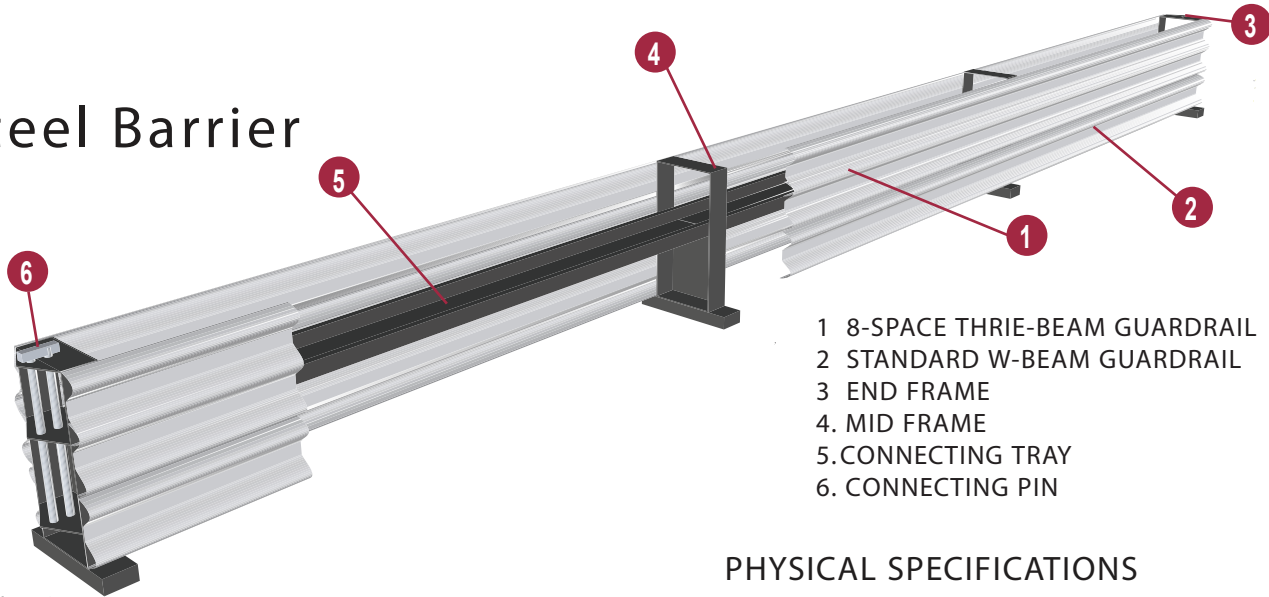


Orion™

Portable Steel Barrier



- 1 8-SPACE THRIE-BEAM GUARDRAIL
- 2 STANDARD W-BEAM GUARDRAIL
- 3 END FRAME
4. MID FRAME
5. CONNECTING TRAY
6. CONNECTING PIN

FEATURES

- Inexpensive off-the-shelf-repair parts
- Only first and last Orion Modules need to be anchored*
- Only 19" [477 mm] wide; ideal for narrow medians in construction zones
- Allows for a radius as low as 355m [1165 ft]
- 6' [1.84 m] NCHRP 350 TL-3 Deflection (2000 kg, 25 degree, 100 km/h)
- Low deflection, "fully pinned" option available
- Up to 1150' [350 m] can be deployed in one hour



PHYSICAL SPECIFICATIONS

Module Length	11.7 m [38' 4"]
Width	477 mm [19"]
Height	883 mm [35"]
Module Weight	896 kg [1975 lb.]
TL-3 3-11 Permanent Deflection*	950 mm [37"]

ORION PORTABLE STEEL BARRIER FUNCTIONALITY MEETS AFFORDABILITY

The Orion Portable Steel Barrier from Barrier Systems, Inc. has been engineered to provide superior performance at an economical price. The Orion Portable Steel Barrier's unique design incorporates standard off the shelf components to create an NCHRP Report 350 TL-3 accepted longitudinal barrier. 8-Space Thrie-Beam guardrail and standard W-Beam guardrail connect to a steel frame to create the Orion Portable Steel Barrier. The Orion Portable Steel Barrier is lightweight, easy to transport, easy to deploy and easy to repair. Over 1150' [350 m] of Orion Portable Steel Barrier can be deployed in one hour.



FREQUENTLY ASKED QUESTIONS

IS THE ORION PORTABLE STEEL BARRIER AVAILABLE AS A KIT?

Yes, the Orion Portable Steel Barrier is available as a complete System or a contractor kit. A contractor kit includes the entire Orion support structure and connecting pin less guardrail and guardrail hardware.

HOW MANY ORION MODULES ARE NEEDED TO MAKE A NCHRP 350 TL-3 COMPLIANT SYSTEM?

The Orion Portable Steel Barrier System was tested using two Orion Modules to meet the NCHRP 350 TL-3 criteria.

ARE END TREATMENTS AVAILABLE?

Yes most commercially available temporary crash cushions can be used to shield the Orion Portable Steel Barrier if end treatments are needed.

HOW MANY ORION MODULES WILL FIT ON A FLATBED TRUCK?

The Orion Modules have been specifically designed for easy transport. Fifteen Modules, 574' [175 m] can be loaded onto a standard flat bed and deployed in under half an hour by a two man crew.

